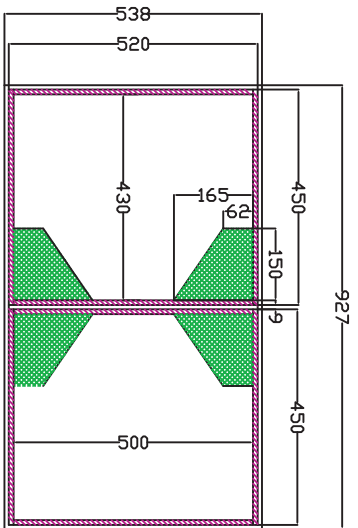
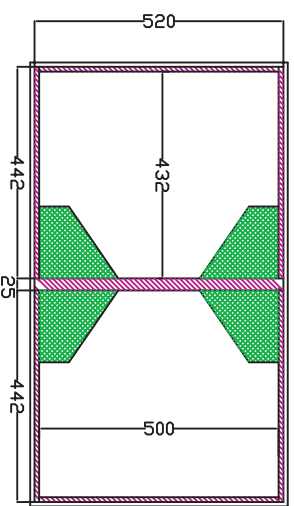


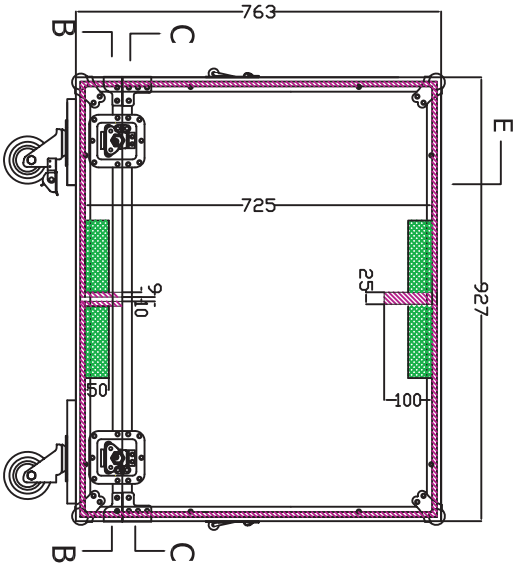
E-E



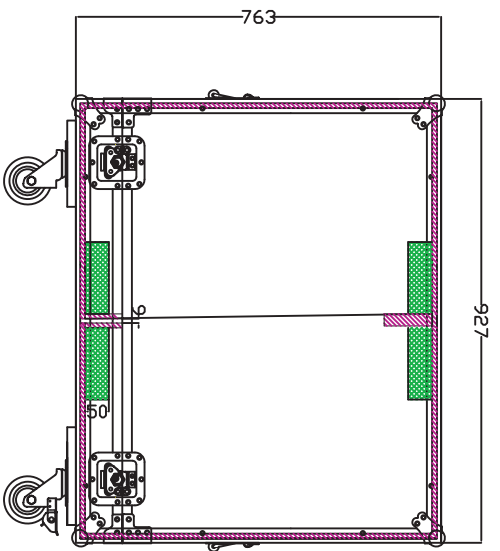
SECTION B-B



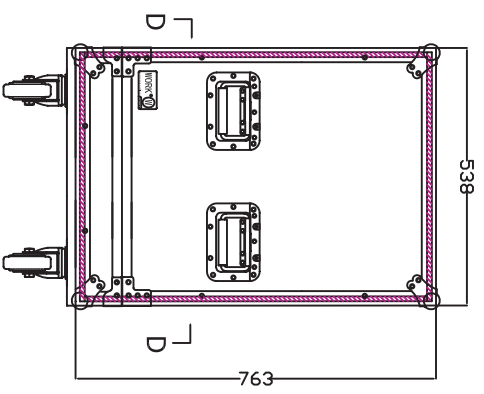
SECTION C-C



SECTION D-D



A-A



DRAWING:  
WPL CASE 5

SCALE 1:10  
DRAWING NO. 09-2-9